

DETAIL AA
LOW VOLTAGE DOOR
LAYOUT

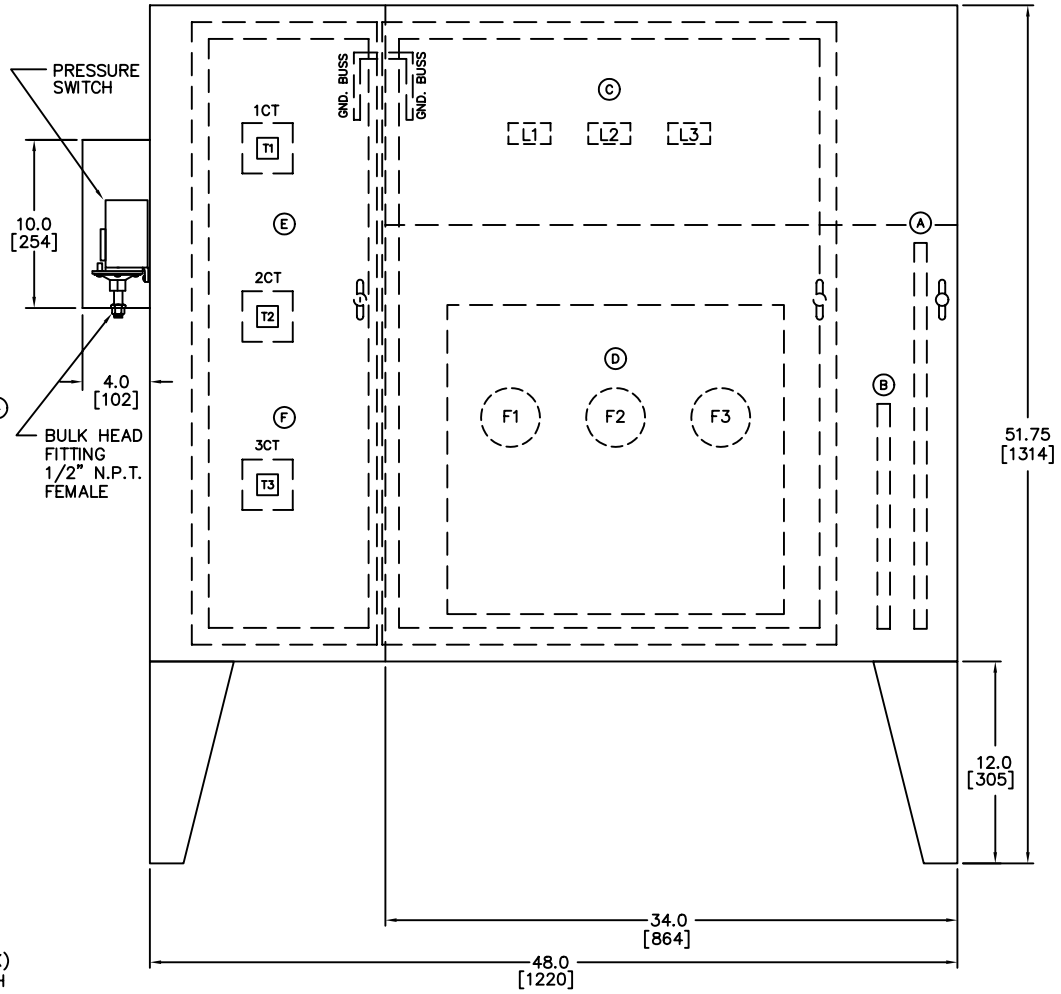
LEGEND:

1. STOP PUSH BUTTON (RED)
2. START PUSH BUTTON (GREEN)
3. POWER ON LIGHT (WHITE)
4. PHASE REVERSAL LIGHT (RED)
5. MOTOR TRIPPED LIGHT (RED)
6. 10CM RESET PUSH BUTTON (BLACK)
7. CURRENT/VOLTAGE DISPLAY SWITCH

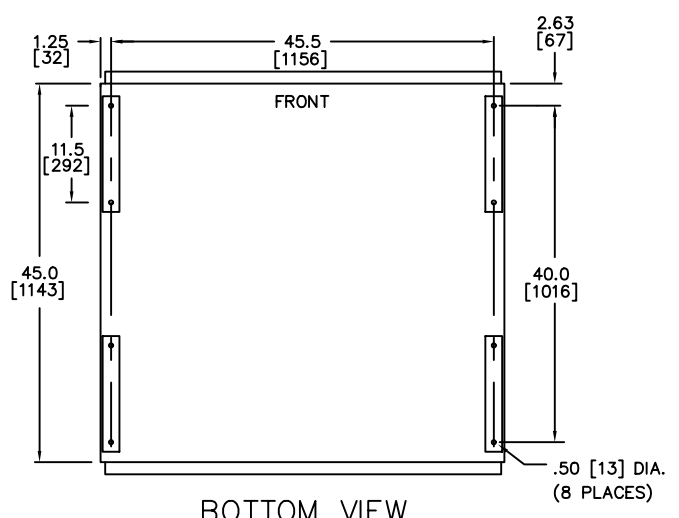
- (A) EMERGENCY START HANDLE
- (B) DISCONNECT/INTERLOCK HANDLE
- (C) LINE VOLTAGE SECTION - ACCESSABLE FROM TOP - BOTTOM - SIDE
- (D) 400 AMP MEDIUM VOLTAGE DRAW-OUT ASSEMBLY INCLUDES LINE SHUTTERS - FUSES - DISCONNECT - CONTACTOR - PT'S
- (E) MOTOR TERMINATION SECTION FRONT AND REAR ACCESSABLE
- (F) LOW VOLTAGE SECTION RUNS FULL HEIGHT OF CABINET

NOTES:

1. ALL DIMENSIONS ARE SHOWN IN INCHES AND MILLIMETERS ([])
2. MAXIMUM VOLTAGE 7200V LISTED
MAXIMUM AMPS 400
3. SPARE FUSE SPACE AVAILABLE IN LOW VOLTAGE SECTION BEHIND FRONT DOOR
4. REAR ACCESS
5. LOW VOLTAGE CONTROLS MOUNTED ON THE INSIDE OF THE LOW VOLTAGE DOOR FOR EASY ACCESS
6. DEPTH OF CONTROLLER IS 45"
7. UNITS CAN BE STACKED WITH FACTORY OPTIONS (2 UNITS = 91.5" WITH LEGS)



FRONT VIEW



BOTTOM VIEW

MOUNTING HOLE LOCATION
NOT TO SCALE

ENCLOSURE DIMENSIONS MODEL MV600, MEDIUM VOLTAGE ELECTRIC FIRE PUMP CONTROLLER	DRAWN J.B. (REDRAWN) 10-17-95	METRON, INC. DENVER, CO.
	CHECK X.A. 10-31-95	
	APPD R.A. 10-31-95	
OPTIONS:		CD31770H
SCALE 3/16		SHEET 1 OF 1